

# KOM300A



## 3 Port Din-Rail Copper to Fiber Media Converter

- Green Ethernet solution with ultra low power consumption design, its full load power consumption is as low as 2.2 watts
- 1 100Base-FX port and 2 10/100Base-T(X) RJ45 ports
- Redundant power inputs with wide voltage range
- IP40 protection class
- CE, FCC, UL508, Class I, Div.2 certifications



## Overview

The KOM300A is an ultra low power consumption Green industrial media converter, its full load power consumption is as low as 2.2 watts. The KOM300A supports 1 100Base-FX fiber port and 2 10/100Base-T(X) copper ports. The KOM300A provides 9-36 VDC or 18-72VDC redundant power inputs, or 85-264VAC/77-300VDC single power input, supports DIN-Rail mounting or Panel mounting, supports IP40 protection class. These media converters are specially designed for harsh industrial environments certified by UL508 and UL Class I, Div.2 certifications.

## Product Specifications

### Technical Specifications

#### Standards

- ▼ IEEE 802.3i(10Base-T)
- ▼ IEEE 802.3u(100Base-TX and 100Base-FX)

### Switch Properties

MAC Table	2K
Packet Buffer	1Mbit
Packet Forwarding Rate	0.8Mpps
Switching Delay	<10μs

### Interface

#### Fast Ethernet Ports

- ▼ 100Base-FX, SM/MM port, FC/SC/ST connector
- ▼ 10/100Base-T(X) RJ45 port

### LED

Indicators in the front panel

- ▼ Power LED: PWR1, PWR2
- ▼ Interface LED: Link/ACT, Speed (RJ45 Ports); Link/ACT(Fiber Ports)

### Power Requirements

#### Power Input

- ▼ 12DCW(9-36VDC),
- ▼ 24DC(18-36VDC),
- ▼ 24DCW(18-72VDC),
- ▼ 220AC/DCW(85-264VAC/77-300VDC)

#### Power Terminal

- ▼ 5-pin 5.08mm-spacing plug-in terminal block

Power Consumption	<2.2W
Overload Protection	Support
Reverse Connection Protection	Support
Redundancy Protection	Support

### Physical Characteristics

Housing	Metal
Heat Dissipation Mode	Natural cooling, without fans
Protection Class	IP40

#### Dimensions

- ▼ 30mm×115mm×91.5mm (1.18 in×4.53 in×3.60 in) (W×H×D)

Weight 0.46kg (1.014 lb)

#### Mounting

- ▼ DIN-Rail mounting or Panel mounting

### Environmental Limits

Operating Temperature	-40°C~+85°C (-40 - 185°F)
Storage Temperature	-40°C~+85°C (-40 - 185°F)
Ambient Relative Humidity	5-95% (non-condensing)

### Quality Assurance

MTBF	462,741 hrs
Warranty period	5 years

## Approvals

CE, FCC, UL508, Class I Div.2

For the latest dynamics of the product, visit the website of Kyland.

## Industry Standard

EMI

▼ FCC CFR47 Part 15,EN55022/CISPR22,Class A

EMS

▼ IEC61000-4-2(ESD) ±8kV(contact),±15kV(air)

▼ IEC61000-4-3(RS) 10V/m(80MHz-2GHz)

▼ IEC61000-4-4(EFT) Power Port:±4kV;Data Port:±2kV

▼ IEC61000-4-5(Surge) Power Port:±2kV/DM,±4kV/CM;Data Port:±2kV

▼ IEC61000-4-6(CS) 3V(10kHz-150kHz);10V(150kHz-80MHz)

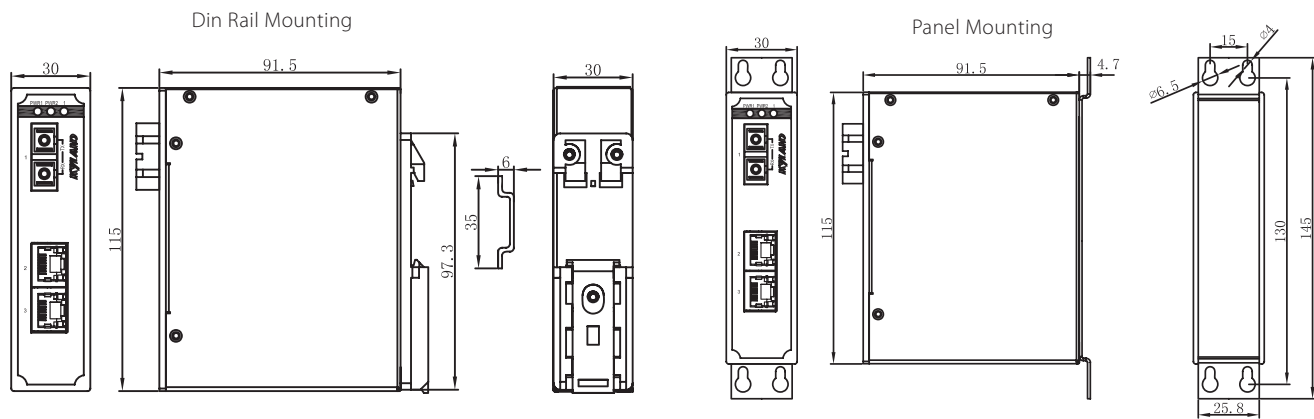
Mechanical standards

▼ IEC60068-2-6 (Vibration),

▼ IEC60068-2-27 (Shock),

▼ IEC60068-2-32 (Free Fall)

## » Mechanical Drawing



## » Ordering Information

### KOM300A-Ports-Connector-PS

#### Ports

1S2T	1 100Base-FX single mode port, 2 10/100Base-T(X) RJ45 ports
1M2T	1 100Base-FX multi mode port, 2 10/100Base-T(X) RJ45 ports

#### Connector

#### 100M fiber port specifications

SC05	SC connector, multi-mode, 1310nm, 5km
ST05	ST connector, multi-mode, 1310nm, 5km
FC05	FC connector, multi-mode, 1310nm, 5km
SC40	SC connector, single-mode, 1310nm, 40km
ST40	ST connector, single-mode, 1310nm, 40km
FC40	FC connector, single-mode, 1310nm, 40km
SC60	SC connector, single-mode, 1310nm, 60km
SC80	SC connector, single-mode, 1550nm, 80km

#### PS

HV	220AC/DCW(85-264VAC/77-300VDC), single power input
L2-L2	24DCW(18-72VDC),redundant power
L3-L3	24DC(18-36VDC), redundant power inputs
L5-L5	12DCW(9-36VDC),redundant power

## » Accessories

### Accessory model

### Description

DT-BGAZ-01	Panel for panel mounting
DT-FCZ-RJ45-01	Dustproof cover for RJ45 port