

KOM300F

3 Port Din-Rail Copper to Fiber Media Converter



- 1 100Base-FX port and 2 10/100Base-T(X) RJ45 ports
- Abundant power supply options
- IP30 protection class

Overview

The KOM300F is an industrial media converter. The KOM300F supports 1 100Base-FX fiber port and 2 10/100Base-T(X) copper ports. The KOM300F provides 9-36VDC or 85-264VAC/120-300VDC single power input, supports DIN-Rail mounting, supports IP30 protection class.

Product Specifications

Technical Specifications

Standards

- ▼ IEEE 802.3i(10Base-T)
- ▼ IEEE 802.3u(100Base-TX and 100Base-FX)

Switch Properties

MAC Table	1K
Packet Buffer	512Kbit
Packet Forwarding Rate	0.8Mpps
Switching Delay	< 10 μs

Interface

Fast Ethernet Ports

- ▼ 100Base-FX, SM/MM port, FC/SC/ST connector
- ▼ 10/100Base-T(X) RJ45 port

LED

Indicators in the front panel

- ▼ Running LED: Run
- ▼ Interface LED: Link/ACT(Fiber Ports); Link/ACT (RJ45 Ports)

Power Requirements

Power Input

- ▼ 12DCW(9-36VDC), 24DC(18-36VDC),
- ▼ 220AC/DC(85-264VAC/120-300VDC)

Power Terminal

- ▼ 3-pin 3.81mm-spacing plug-in terminal block

Power Consumption <4.1W

Overload Protection Support

Reverse Connection Protection Support

Physical Characteristics

Housing Metal

Heat Dissipation Mode Natural cooling, without fans

Protection Class IP30

Dimensions

- ▼ 36mm×100mm×75mm (1.42 in×3.94 in×2.95 in) (W×H×D)

Weight 0.3kg (0.661 lb)

Mounting DIN-Rail mounting

Environmental Limits

Operating Temperature -40°C~+85°C (-40-185°F)

Storage Temperature -40°C~+85°C (-40-185°F)

Ambient Relative Humidity 5-95% (non-condensing)

Quality Assurance

MTBF 473,846 hrs

Warranty period 5 years

Approvals

For the latest dynamics of the product, visit the website of Kyland.

Industry Standard

EMI

- ▼ FCC CFR47 Part 15,EN55022/CISPR22,Class A

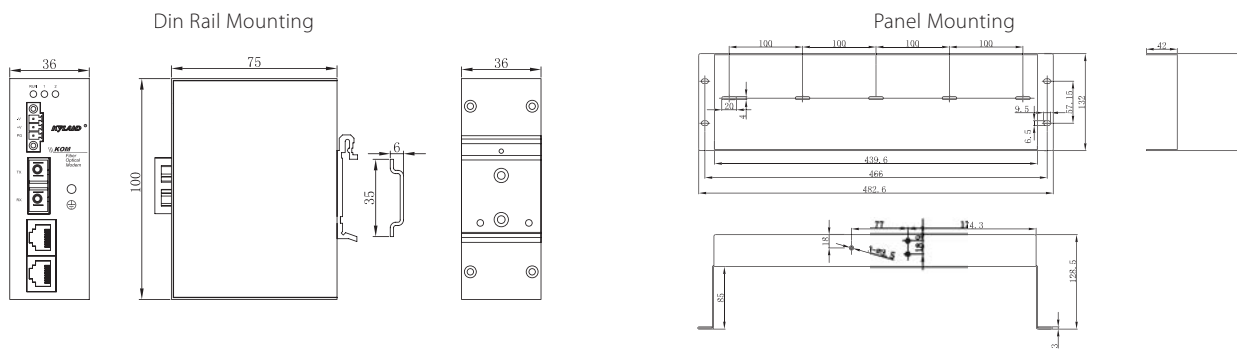
EMS

- ▼ IEC61000-4-2(ESD) $\pm 6\text{kV}$ (contact), $\pm 8\text{kV}$ (air)
- ▼ IEC61000-4-3(RS) 10V/m(80MHz-2GHz)
- ▼ IEC61000-4-4(EFT) Power Port: $\pm 2\text{kV}$;Data Port: $\pm 1\text{kV}$
- ▼ IEC61000-4-5(Surge) Power Port: $\pm 1\text{kV}/\text{DM}$, $\pm 2\text{kV}/\text{CM}$;Data Port: $\pm 1\text{kV}$
- ▼ IEC61000-4-6(CS) 3V(10kHz-150kHz);10V(150kHz-80MHz)

Mechanical standards

- ▼ IEC60068-2-6 (Vibration),
- ▼ IEC60068-2-27 (Shock),
- ▼ IEC60068-2-32 (Free Fall)

► Mechanical Drawing



► Ordering Information

KOM300F-Ports-Connector-PS

Ports

1S2T	1 100Base-FX single mode port, 2 10/100Base-T(X) RJ45 ports
1M2T	1 100Base-FX multi mode port, 2 10/100Base-T(X) RJ45 ports

Connector

100M fiber port specifications

SC05	SC connector, multi-mode, 1310nm, 5km
ST05	ST connector, multi-mode, 1310nm, 5km
FC05	FC connector, multi-mode, 1310nm, 5km
SC40	SC connector, single-mode, 1310nm, 40km
ST40	ST connector, single-mode, 1310nm, 40km
FC40	FC connector, single-mode, 1310nm, 40km
SC60	SC connector, single-mode, 1310nm, 60km
SC80	SC connector, single-mode, 1550nm, 80km

PS

H1	220AC/DC(85-264VAC/120-300VDC), single power input
L3	24DC(18-36VDC), single power input
L5	12DCW(9-36VDC), single power input

► Accessories

Accessory model

Description

DT-FCZ-RJ45-01	Dustproof cover for RJ45 port
KOMFrm	KOM Panel for rack mounting -482.6mm×132mm×128.5mm