

# SFP-1FE

## Industrial Fast Ethernet SFP Copper Transceiver Module



- Transmission rate is 125Mb/s
- Working voltage is 3.3V
- Hot-Pluggable
- RJ45 connector
- RoHS Compliant

## Product Specifications

### Technical Specifications

Standards

- ▼ IEEE 802.3i(10Base-T)
- ▼ IEEE 802.3u(100Base-TX)SFP MSA(INF-8074i)

### Interface

RJ45 Connector

### Physical Characteristics

Dimensions

- ▼ 14.84mm×13.8mm×68.6mm(W×H×D)

Weight 40g

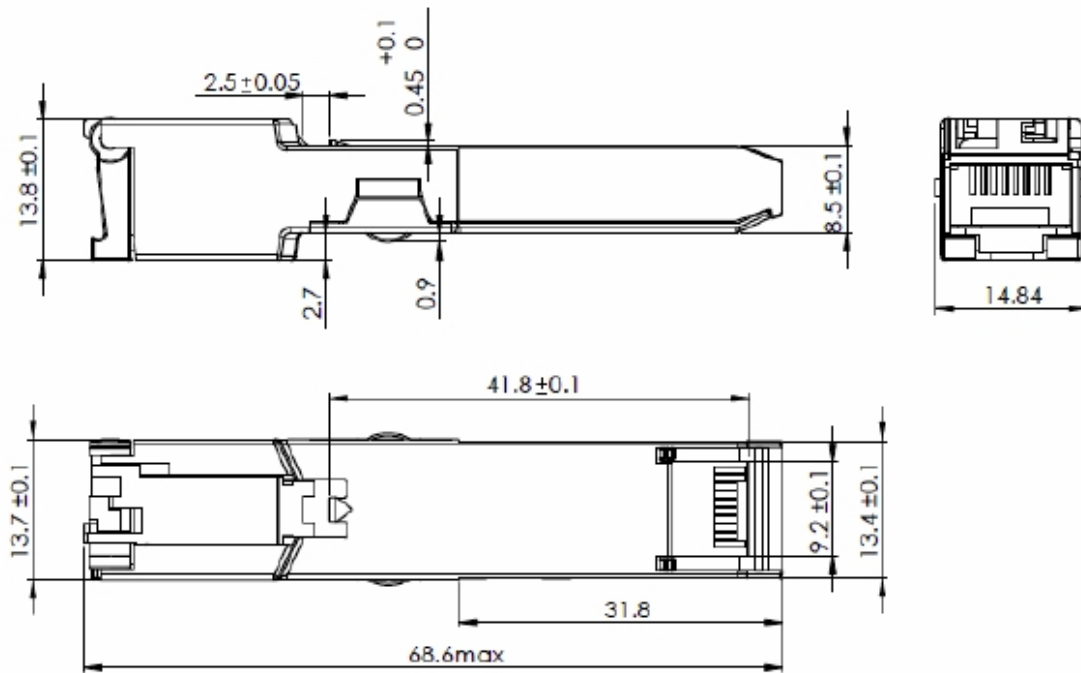
### Environmental Limits

Operating Temperature	-40°C~+85°C (-40°F - 185°F)
Storage Temperature	-40°C~+85°C (-40°F - 185°F)
Ambient Relative Humidity	5-95% (non-condensing)

### Quality Assurance

Warranty period	3 years
Approvals	RoHS

## » Mechanical Drawing



## » Ordering Information

Product Model	Product Description Connector	Transmission Distance	Cable
IFSFP-10/100BASE-T-RJ45	RJ45	100m	CAT5/CAT5e UTP/STP