

GPT-PTP over E1/T1 Module

Preliminary



PTP over E1/T1 Module for SICOM3028GPT

- Designed for the SICOM3028GPT-L2GT, SICOM3028GPT-L2FT, SICOM3028GPT-L3GT, SICOM3028GPT-L3FT and managed by SICOM3028GPT chassis.
- Plug-in interface module for time sync over SDH network
- ITU-T compliant E1/T1 interface with balanced or unbalance connection
- Less than 1 μ s synchronization accuracy
- Supports hot-swap for easy maintenance (only can replace the same type of module)

Overview

PTP over E1/T1 precision clock interface module is specifically designed for SICOM3028GPT series which support PTP protocol. It realizes precise transmission of Ethernet based clock messages over traditional SDH network with an accuracy of less than 1 μ s.

Product Specifications

Interface

E1/T1 Interface

- ▼ Speed: 2.048Mbps(E1), 1.544Mbps(T1)
- ▼ Resistor: Unbalanced 75 Ω , Balanced 120 Ω
- ▼ Connector: Unbalanced BNC, Balanced 4-pin 5.08 mm-spacing plug-in terminal block
- ▼ Electrical: ITU-T G.703, G.704
- ▼ Standard: ITU-T G.823

LED

LEDs on front panel

- ▼ Running LED: RUN
- ▼ Ethernet LED: Ethernet
- ▼ E1 LED: Link, Loss

Physical Characteristics

| | |
|-------------------|-------------------------------------------------|
| Housing | Metal |
| Cooling | Natural cooling, fanless |
| Dimensions(WxHxD) | 122.6mm×20.25mm×106.6mm (4.83×0.80×4.20 in.) |
| Weight | 0.3Kg (0.661 pound) |

Power Requirements

| | |
|-------------------|--------------------------------------------|
| Power input | 3.3VDC |
| Power terminal | A type interface (powered by backplane) |
| Power consumption | <3W |

Environmental Limits

| | |
|---------------------------|---------------------------------|
| Operating temperature | -40°C to +85°C (-40°F to 185°F) |
| Storage temperature | -40°C to +85°C (-40°F to 185°F) |
| Ambient Relative Humidity | 5%-95% (non-condensing) |

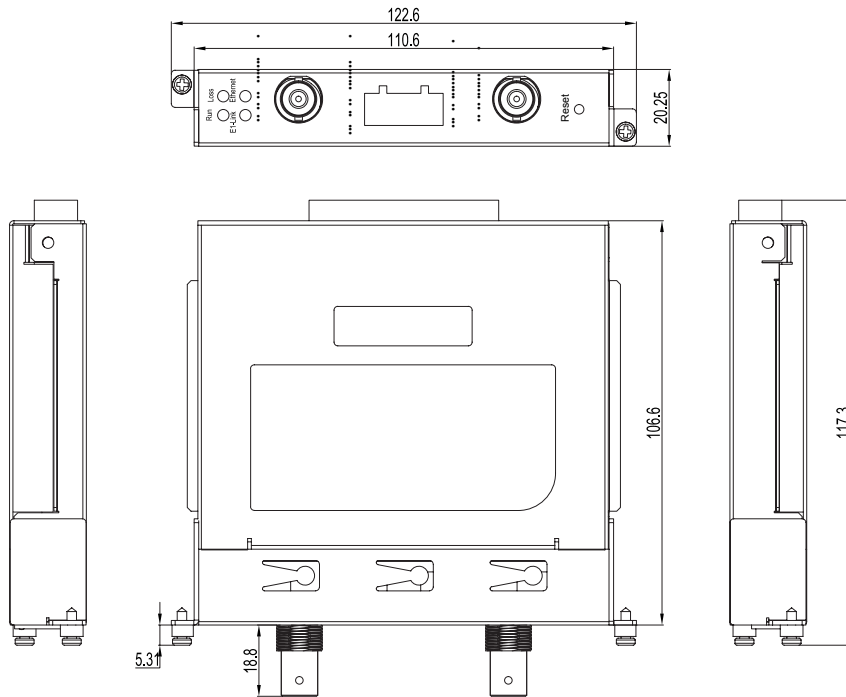
Quality Assurance

| | |
|----------|---------|
| Warranty | 5 years |
|----------|---------|

Approvals

CE (pending), FCC (pending)
Please check Kyland website for the latest updates.

» Mechanical Drawing



» Ordering Information

Model

SM6.6-PTP-OVER-E1-0.5U

SM6.6-PTP-OVER-E1-UB-0.5U

Description

PTP over E1 module, Balanced interface

PTP over E1 module, Unbalanced interface