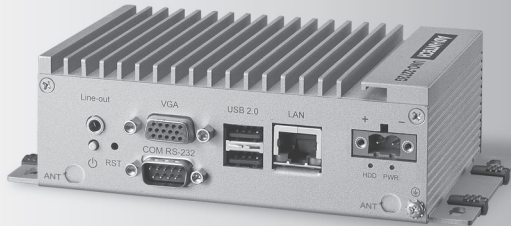


# UNO-2272G

## Intel® Celeron Palm-Size Automation Computer with 1 x GbE, 2 x mPCIe, HDMI

NEW



### Features

- Intel® J1900 Processors up to 2.41 GHz with DDR3L Memory
- 1 x GbE, 3 x USB 2.0/3.0, 1 x RS-232, 1 x HDMI, Audio
- Comprehensive Palm, Small, Regular-size form-factor
- Compact with Fanless Design
- Rubber Stopper Design with Captive Screw
- Diverse system I/O and Isolated Digital I/O by iDoor Technology
- Supports Fieldbus Protocol by iDoor Technology
- 3G/GPS/GPRS/Wi-Fi Communication by iDoor Technology
- Supports MRAM by iDoor Technology
- Chassis Grounding Protection

### Introduction

Advantech's UNO-2000 series of Embedded Automation Computers are Fanless with highly ruggedized with an embedded operating system (Linux-Embedded). It also includes iDoor technology which supports automation feature extensions such as industry fieldbus communication, Wi-Fi/3G, Digital I/O, including Palm, Small, and Regular-size Form-Factors with indicated market segments in terms of entry, value and performance product positioning. Both entry and value Embedded Automation Computers feature specific functions and they are suitable for data gateway, concentrator and data server applications. The performance model can shorten your development time and offer multiple networking interfaces to fulfill a diverse range of requirements.

### Specifications

#### General

- **Certification** CE, FCC, UL, CCC, BSMI
- **Dimensions (W x D x H)** 157 x 88 x 50 mm (6.2"x 3.5"x 2.0")
- **Form Factor** Palm Size
- **Enclosure** Aluminum Housing
- **Mounting** Stand, Wall, VESA (Optional), DIN-Rail (Optional)
- **Weight (Net)** 0.8 kg (1.76 lbs)
- **Power Requirement** 24VDC ± 20%
- **Power Consumption** 12W (Typical), 20W (Max)
- **OS Support** Microsoft® Windows 7, WES7, Advantech Linux

#### System Hardware

- **BIOS** AMI EFI64 Mbit
- **Watchdog Timer** Programmable 256 levels timer interval, from 1 to 255 sec
- **Processor** Intel Celeron Quad Core J1900 2 GHz
- **System Chip** Intel Atom SoC integrated
- **Memory** Built-in 2GB DDR3L 1333 MHz
- **Graphics Engine** Intel® HD Graphics
- **Ethernet** Intel i210 GbE, 802.10av, IEEE1588/802.1AS, 803.3az

- **LED Indicators** LEDs for Power, HDD, LAN (Active, Status)
- **Storage** 1 x half-size mSATA

- **Expansion** Supports HDD/SSD by project  
2 x Full-size mPCIe slot, mPCIe Rev. 2.0

#### I/O Interfaces

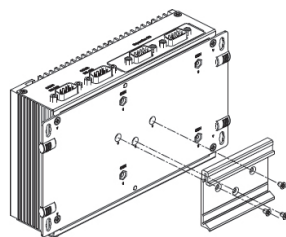
- **Serial Ports** 1 x RS-232 (RS-422/485 by BIOS option), DB9, 50-115.2kbps
- **LAN Ports** 1 x RJ45, 10/100/1000 Mbps IEEE 802.3u 1000Base-T Fast Ethernet
- **USB Ports** 2 x USB 2.0 and 1 x USB 3.0
- **Displays** 1 x HDMI, supports 1920 x 1080 @ 60Hz
- **Audio** Line-Out
- **Power Connector** 1 x 2 Pins, Terminal Block
- **Grounding Protection** Chassis Grounding

#### Environment

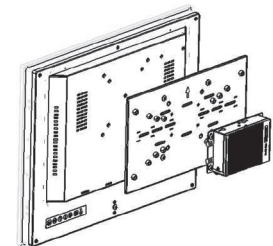
- **Operating Temperature** -10 ~ 55°C (14~131) @ 5 ~ 85% RH with 0.7 m/s airflow
- **Storage Temperature** -40 ~ 85°C (-40 ~ 185°F)
- **Relative Humidity** 10 ~ 95% RH @ 40°C, non-condensing
- **Shock Protection** Operating, IEC 60068-2-27, 50G, half sine, 11 ms
- **Vibration Protection** Operating, IEC 60068-2-64, 2 Grms, random, 5 ~ 500 Hz, 1hr/axis (mSATA)
- **Ingress Protection** IP40

### Installation Scenario

#### DIN-Rail Mount Illustration



#### VESA Mount Illustration



**Protocols Supported:: ModBus RTU, ModBus TCP, DLMS, IEC 60870-5-101, 103, 104, IEC-61850**

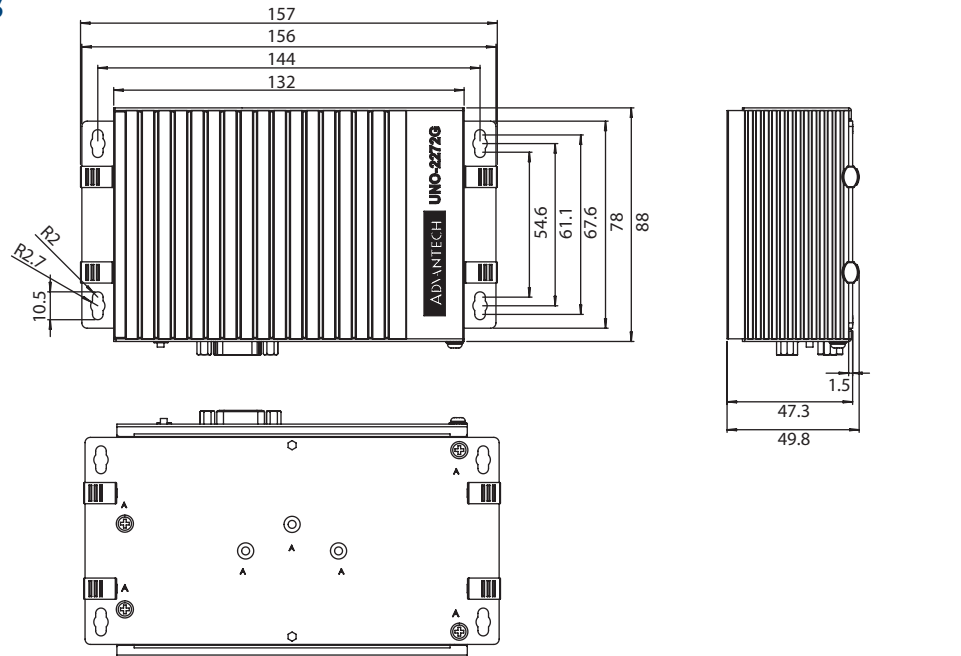
ADVANTECH Protocol Gateways

technics

All product specifications are subject to change without notice

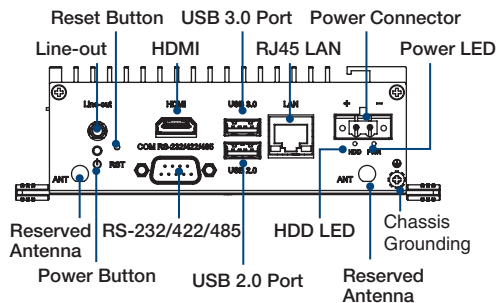
## Dimensions

Unit: mm

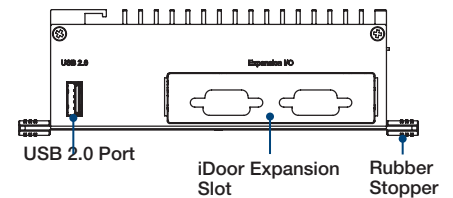


## Front I/O View

UNO-2272G-J2AE



## Rear I/O View



## Ordering Information

- UNO-2272G-J2AE Intel Atom J1900 2.41GHz, 2GB, 1xLANs, 2xmPCIe

## Optional Accessories

- UNO-2000G-DMKAE UNO-2000 DIN Rail Kit
- UNO-2000G-VMKAE UNO-2000 VESA Mount Kit

## iDoor Modules

- PCM-24S2WF-AE 802.11 a/b/g/n 2T2R w/ Bluetooth4.0, Half-size mPCIe, 2-port SMA
- PCM-24U2U3-AE 2-Port USB 3.0, mPCIe, USB-A type
- PCM-24R2GL-AE 2-Port Gigabit Ethernet, mPCIe, RJ45
- PCM-24D2R2-AE 2-Port Isolated RS-232 mPCIe, DB9
- PCM-24D4R4-AE 4-Port Non-Isolated RS-422/485 mPCIe, DB37
- PCM-24R1TP-AE 1-Port Gigabit Ethernet, Intel® 82574L, mPCIe, RJ45
- PCM-27D24DI-AE 24-Channel Isolated Digital I/O w/ counter mPCIe, DB37
- PCM-26D1DB-MAE 1-Port Hilscher netX100 FieldBus mPCIe, PROFIBUS, DB9, Master
- PCM-26D1DB-SAE 1-Port Hilscher netX100 FieldBus mPCIe, PROFIBUS, DB9, Slave
- PCM-26R2PN-MAE 2-Port Hilscher netX100 FieldBus mPCIe, PROFINET, RJ45, Master
- PCM-26R2PN-SAE 2-Port Hilscher netX100 FieldBus mPCIe, PROFINET, RJ45, Slave