

KIEN1005A/KIEN1005

5 Port Unmanaged DIN-Rail Switches



- 1 Fast Ethernet fiber/RJ45 optional port, 4 10/100Base-T(X) ports
- IP40 protection class
- Green Ethernet solution with full load power consumption as low as 3.5W
- KIEN1005A's EMC performance reaches industrial level 4
- CE, FCC certificates



Overview

The KIEN1005A series belong to Kyland ultra low power consumption Green Ethernet series, equipped with 5 Fast Ethernet ports, plug and play, its full load power consumption is as low as 3.5 watts. The solid metal housing with IP40 protection class, strong vibration-resistant mounting clip for DIN-Rail installation, 12V/24V/48V/220V optional power supply, wide operating temperature range from -40°C to 85°C, and excellent EMC performance give the switches stable and reliable operating capability in the harsh industrial environments, and make them ideal for setting up robust Fast Ethernet connection in power, ITS, factory automation, and other industrial applications. The KIEN1005 5-port unmanaged switch provides 1 Fast Ethernet fiber/RJ45 optional port, 4 10/100Base-TX ports, and supports 12V and 220V single power input.

Technical Specification

Technical Parameters

Standard

- ▼ IEEE 802.3i (10Base-T)
- ▼ IEEE 802.3u (100Base-TX and 100Base-FX)

Switch Properties

MAC Table

- ▼ 2K (KIEN1005A)
- ▼ 1K (KIEN1005)

Packet Buffer

- ▼ 1Mbit (KIEN1005A)
- ▼ 512Kbit (KIEN1005)

Packet Forwarding Rate

0.8Mpps

Switching Delay

<10µs

Interface

Fast Ethernet Port

- ▼ 100Base-FX, SM/MM, SC/ST/FC connector
- ▼ 10/100Base-T(X), RJ45 port

LED

LEDs on Front Panel

- ▼ Power LED:
 - ※ PWR1, PWR2 (KIEN1005A)
 - ※ PWR (KIEN1005)
- ▼ Interface LED: Link/ACT, Speed (RJ45 port); Link/ACT (Fiber port)

Power Requirements

Power Input(KIEN1005A)

- ▼ 24-48VDC
- ▼ 12-24VDC
- 100-240VAC, 50/60Hz; 110-220VDC

Power Input(KIEN1005)

- ▼ 12-24VDC
- ▼ 220VAC

Power Terminal(KIEN1005A)

- ▼ 5-pin 5.08mm-spacing plug-in terminal block (12/24/48VDC)
- ▼ 3-pin 5.08mm-spacing plug-in terminal block (220VAC/DC)

Power Terminal(KIEN1005)

- ▼ 3-pin 3.81mm-spacing plug-in terminal block

Power Consumption

- ▼ KIEN1005A<2.7W (12/24/48VDC)
- ▼ KIEN1005A<3.5W (220VAC/DC)
- ▼ KIEN1005<3.6W

Overload Protection

Support

Reverse Protection

Support

Redundancy Protection

KIEN1005A (12/24/48VDC) Support

Physical Characteristics

Housing	Metal
Cooling Mode	Natural convection, fanless
Protection Class	IP40
Dimension	
▼ 30mm×115mm×91.5mm (W×H×D) (KIEN1005A)	
▼ 36.5mm×120mm×90mm (W×H×D) (KIEN1005)	
Weight	
▼ 0.46Kg (KIEN1005A)	
▼ 0.3Kg (KIEN1005)	
Mounting	DIN-Rail or Panel Mounting

Environmental Limits

Operating Temperature	-40°C to +85°C
Storage Temperature	-40°C to +85°C
Ambient Relative Humidity	5-95% (non-condensing)

Warranty

MTBF	454730h
Warranty	5 years

Approvals

CE, FCC

Industrial Standards

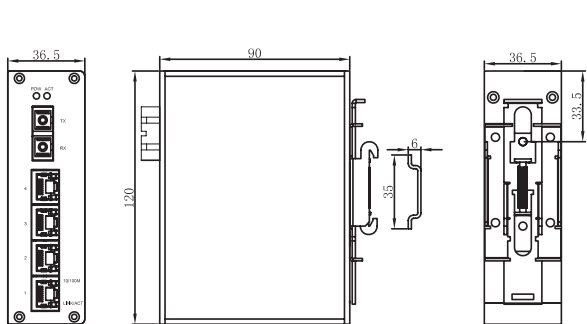
- EMI
- ▼ FCC CFR47 Part 15, EN55022/CISPR22, Class A
 - EMS
 - ▼ IEC61000-4-2(ESD) ±8kV (contact), ±15kV (air)
 - IEC61000-4-3(RS) 10V/m (80MHz-2GHz)
 - ▼ IEC61000-4-4(EFT) Power Port: ±4kV; Data Port: ±2kV
 - ▼ IEC61000-4-5 (Surge) Power Port: ±2kV/DM, ±4kV/CM; Data Port: ±2kV
 - IEC61000-4-6(CS) 10V (150kHz-80MHz)

Machinery

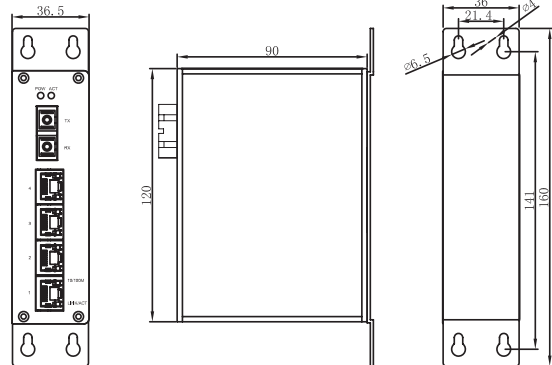
- ▼ IEC60068-2-6(Vibration)
- ▼ IEC60068-2-27(Shock)
- ▼ IEC60068-2-32(Free Fall)

Mechanical Drawing

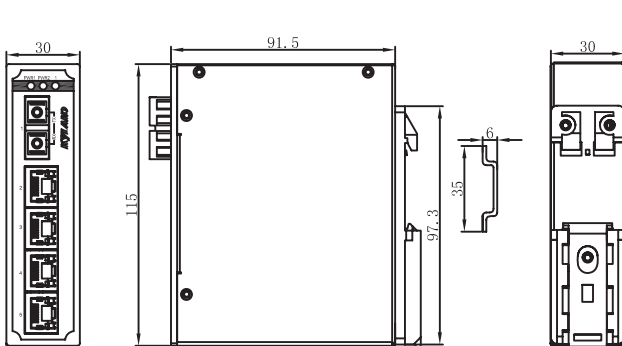
Din Rail Mounting (KIEN1005)



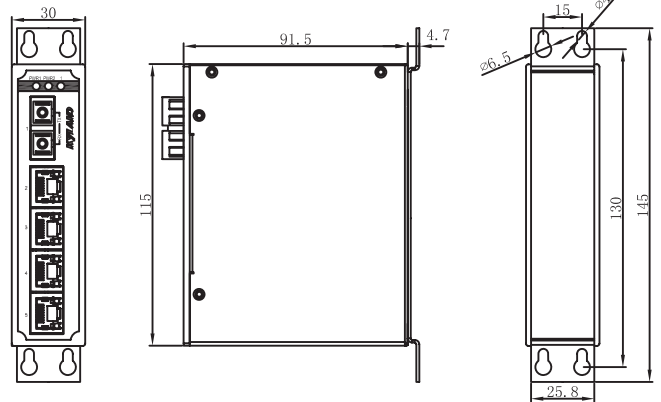
Panel Mounting (KIEN1005)



Din Rail Mounting (KIEN1005A)



Panel Mounting (KIEN1005A)



Ordering Information

KIEN1005A-Ports-Connector-PS1-PS2

KIEN1005A-Ports-Connector-PS1 (New)

Ports	
5T	5×10/100Base-T(X) RJ45 ports
1S4T	1×100Base-FX, single mode fiber port; 4×10/100Base-T(X) RJ45 ports
1M4T	1×100Base-FX, multi mode fiber port; 4×10/100Base-T(X) RJ45 ports
Connector	
100M fiber port specifications	
SC05	SC connector, multi-mode, 1310nm, 5km
ST05	ST connector, multi-mode, 1310nm, 5km
FC05	FC connector, multi-mode, 1310nm, 5km
SC40	SC connector, single-mode, 1310nm, 40km
ST40	ST connector, single-mode, 1310nm, 40km
FC40	FC connector, single-mode, 1310nm, 40km
SC60	SC connector, single-mode, 1310nm, 60km
SC80	SC connector, single-mode, 1550nm, 80km
None	No 100M fiber port
PS	
L2-L2	24-48VDC, redundant power inputs
L5-L5	12-24VDC, redundant power inputs
HV	100-240VAC, 50/60Hz; 110-220VDC, single power input

KIEN1005-Ports-Connector-PS1

Ports	
5T	5×10/100Base-T(X) RJ45 ports
1S4T	1×100Base-FX, single mode fiber port; 4×10/100Base-T(X) RJ45 ports
1M4T	1×100Base-FX, multi mode fiber port; 4×10/100Base-T(X) RJ45 ports
Connector	
100M fiber port specifications	
SC05	SC connector, multi-mode, 1310nm, 5km
ST05	ST connector, multi-mode, 1310nm, 5km
FC05	FC connector, multi-mode, 1310nm, 5km
SC40	SC connector, single-mode, 1310nm, 40km
ST40	ST connector, single-mode, 1310nm, 40km
FC40	FC connector, single-mode, 1310nm, 40km
SC60	SC connector, single-mode, 1310nm, 60km
SC80	SC connector, single-mode, 1550nm, 80km
None	No 100M fiber port
PS	
H3	220VAC, single power input
L5	12-24VDC, single power input

Accessories

Accessory Model

Accessory Description

DT-BGAZ-01	Panel for panel mounting (KIEN1005A)
DT-BGAZ-03	Panel for panel mounting (KIEN1005)
DT-FCZ-RJ45-01	Dustproof cover for RJ45 port