

GPT – Ethernet Modules

Ethernet Module for SICOM3028GPT

Preliminary

Ethernet Modules

Model	Image
SM6.6-4GX-1U	
SM6.6-4GE-1U	
SM6.6-2GX2GE-1U	
SM6.6-4GX-0.5U	
SM6.6-2GX2GE-0.5U	
SM6.6-4GE-0.5U SM6.6-4T-0.5U	

Model	Image
SM6.6-4M-SC05-0.5U SM6.6-4S-SC40-0.5U SM6.6-4S-SC60-0.5U SM6.6-4S-SC80-0.5U	
SM6.6-4M-ST05-0.5U SM6.6-4S-ST40-0.5U	
SM6.6-4M-FC05-0.5U SM6.6-4S-FC40-0.5U	
SM6.6-2GX2M-SC05-0.5U SM6.6-2GX2S-SC40-0.5U SM6.6-2GX2S-SC60-0.5U SM6.6-2GX2S-SC80-0.5U	
SM6.6-2GX2M-ST05-0.5U SM6.6-2GX2S-ST40-0.5U	
SM6.6-2GX2M-FC05-0.5U SM6.6-2GX2S-FC40-0.5U	
SM6.6-2M2T-SC05-0.5U SM6.6-2S2T-SC40-0.5U SM6.6-2S2T-SC60-0.5U SM6.6-2S2T-SC80-0.5U	
SM6.6-2M2T-ST05-0.5U SM6.6-2S2T-ST40-0.5U	
SM6.6-2M2T-FC05-0.5U SM6.6-2S2T-FC40-0.5U	

Key Features

- Designed for the SICOM3028GPT series and managed by SICOM3028GPT chassis.
- 1U or 0.5U structures, supports Gigabit/fast Ethernet, fiber/copper.
- Supports hot-swap for easy maintenance (only can replace the same type of module)

Overview

Ethernet modules are specifically designed for the SICOM3028GPT series to provide Ethernet data switching. These modules support Gigabit/fast Ethernet fiber/copper port, fast Ethernet fiber port supports single/multi mode and ST/SC/FC connector.

Product Specifications

Technical Specifications

Standard

- ▼ IEEE 802.3i(10Base-T)
- ▼ IEEE 802.3u(100Base-TX and 100Base-FX)
- ▼ IEEE 802.3ab(1000Base-T)
- ▼ IEEE 802.3z(1000Base-SX/LX)

Interface

Gigabit ports

- ▼ 1000Base-X, 100Base-FX, SFP port
- ▼ 10/100/1000Base-T(X), RJ45 port

Fast Ethernet ports

- ▼ 100Base-FX, single/multi mode, SC/ST/FC connector
- ▼ 100Base-FX, SFP port(LC connector)
- ▼ 10/100Base-T(X), RJ45 port

LED

- ▼ Port LED: Link/ACT
- ▼ Port speed LED: Speed

Physical Characteristics

Housing Metal

Cooling Natural cooling, fanless

Dimensions(WxHxD)

▼ 1U:50.8mm×41.1mm×109.2mm(2×1.62×4.30 in.)

▼ 0.5U:122.6mm×20.25mm×106.6mm(4.83×0.80×4.20 in.)

Weight 0.3Kg (0.661 pound)

Environmental Limits

Operating temperature

-40°C to +85°C (-40°F to 185°F)

Storage temperature

-40°C to +85°C (-40°F to 185°F)

Ambient Relative Humidity

5% - 95% (non-condensing)

Power Requirements

Power input

3.3VDC

Power terminal

- ▼ A type interface (powered by backplane)

Power consumption

<3W

Quality Assurance

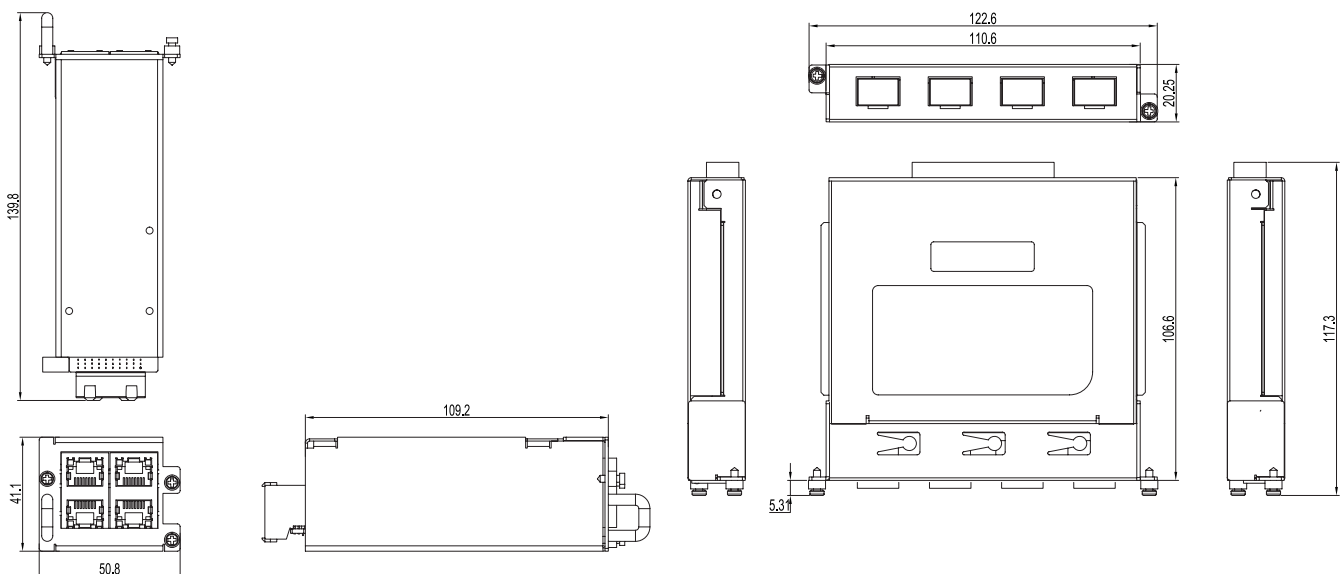
Warranty 5 years

Approvals

CE, FCC

Please visit www.kyland.com for the latest news

Mechanical Drawing



» Ordering Information

Ethernet Module

Slot 1 SM6.6-Ports-1U

Ports

4GX	4x1000Base-X, 10/100/1000Base-T(X) SFP port, 1U
4GE	4x10/100/1000Base-T(X) RJ45 port, 1U
2GX2GE	2x1000Base-X, 10/100/1000Base-T(X) SFP port; 2x10/100/1000Base-T(X) RJ45 port, 1U

Slot2-Slot7 SM6.6-Ports-Connector-0.5U

Ports

4GX	4x1000Base-X, 100Base-FX, 10/100/1000Base-T(X) SFP port, 0.5U
4GE	4x10/100/1000Base-T(X) RJ45 port, 0.5U
2GX2GE	2x1000Base-X, 100Base-FX, 10/100/1000Base-T(X) SFP port; 2x10/100/1000Base-T(X) RJ45 port, 0.5U
2GX2S	2x1000Base-X, 100Base-FX, 10/100/1000Base-T(X) SFP port; 2x100Base-FX, single-mode fiber port, 0.5U
2GX2M	2x1000Base-X, 100Base-FX, 10/100/1000Base-T(X) SFP port; 2x100Base-FX, multi-mode fiber port, 0.5U
4S	4x100Base-FX, single-mode fiber port, 0.5U
4M	4x100Base-FX, multi-mode fiber port, 0.5U
2S2T	2x100Base-FX, single-mode fiber port; 2x10/100Base-T(X) RJ45 port, 0.5U
2M2T	2x100Base-FX, multi-mode fiber port; 2x10/100Base-T(X) RJ45 port, 0.5U
4T	4x10/100Base-T(X) RJ45 port, 0.5U

Connector

100M fiber port specifications

SC05	SC connector, multi-mode, 1310nm, 5km
ST05	ST connector, multi-mode, 1310nm, 5km
FC05	FC connector, multi-mode, 1310nm, 5km
SC40	SC connector, single-mode, 1310nm, 40km
ST40	ST connector, single-mode, 1310nm, 40km
FC40	FC connector, single-mode, 1310nm, 40km
SC60	SC connector, single-mode, 1310nm, 60km
SC80	SC connector, single-mode, 1550nm, 80km