

# TECH-7120-706

LGA1151 8th/9th Generation Intel® Core™ i7/i5/i3 ATX with DVI/VGA, DDR4, SATA 3.0, USB 3.1 & 6 COMs



Conforming to BIS Standard IS 13252 (Part-1): 2010



CE FCC

## Features

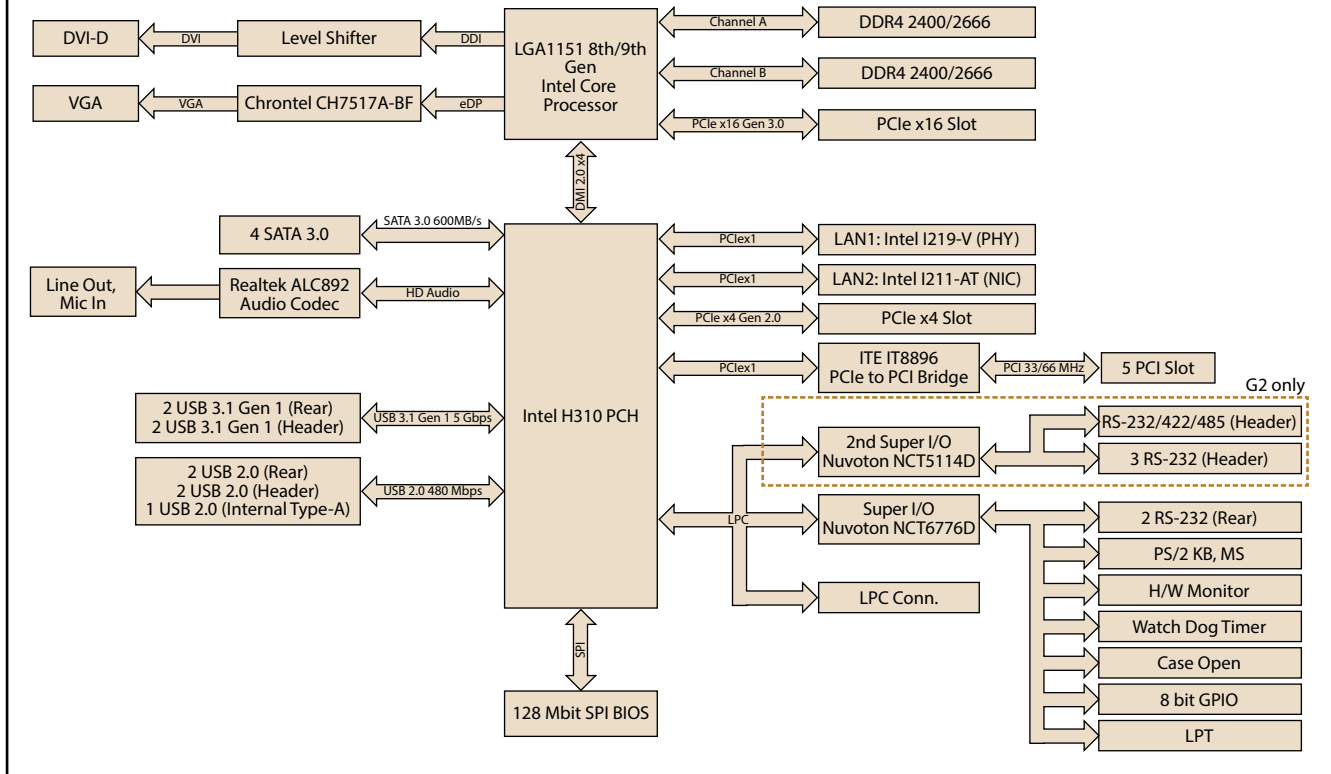
- \* Intel® 8th/9th generation Core™ i7/i5/i3 processors.
- \* Dual channel (Non-ECC) DDR4 1866/2133 up to 32GB
- \* Supports VGA and DVI display
- \* Supports SATA3.0, USB3.0, dual GbEs
- \* Supports 5 RS-232 and 1 RS-232/422/485 serial ports
- \* 1 PCIe x16 (Gen3) and 1 PCIe x4 (Gen2), and 5 PCI expansion slots
- \* Supports 350 W ATX power supply.
- \* Easy to install drive bays to hold one 5.25" and one 2.5/3.5" drives (HDD/SSD).
- \* LED indicators for Power Status and HDD/SSD activity.
- \* 5.25" Internal DVD-RW (Optional).

**Note: Intel 7th generation processors only support Windows 10 (64-bit).**

## Specifications

	CPU	i7-9700	i7-8700	i5-9500	i5-8500	i3-9100	i3-8100
Processor System	Speed	3.0GHz	3.2 GHz	3.0 GHz	3.0 GHz	3.6 GHz	3.6 GHz
	L3 Cache	12 MB	12 MB	9 MB	9 MB	6 MB	6 MB
	Cores	8	6	6	6	4	4
	TDP	65 W	65 W	65 W	65 W	65 W	65 W
	Socket	LGA1151					
	Chipset	Intel H310					
	BIOS	AMI 128Mbit SPI Flash					
Expansion Slot	PCI	32-bit/33 MHz, 5 slots					
	PCIe x4 (Gen 2)	2 GB/s per direction, 1 slot					
	PCIe x16 (Gen 3)	16 GB/s per direction, 1 slot					
Memory	Technology	Dual Channel(Non-ECC) DDR4 2400/2666 32 GB					
	Max Capacity	(16 GB per DIMM)					
	Sockets	2 x 288-pin DIMM					
Graphics	Controller	Chipset integrated Intel HD Graphics Shared					
	VRAM	system memory is subject to OS					
Ethernet	Interface	10/100/1000 Mbps					
	Controller	GbE LAN1: Intel I219-V, GbE LAN2: Intel I211-AT 2 x					
	Connector	RJ-45					
SATA	Max Data Transfer Rate	600 MB/s					
	Channel	4					
Rear I/O	VGA	1 (Resolution up to 1920 x 1200 @ 60 Hz)					
	DVI	1 for G2 version (Resolution up to 1920 x 1200 @ 60 Hz)					
	Ethernet	2 for G2 version; 1 for VG version					
	USB	4 (2 x USB 3.1 Gen 1, 2 x USB 2.0)					
	Audio	2 (Line-out, Mic-in)					
	Serial	2 (RS-232)					
	PS/2	2 (1 x keyboard and 1 x mouse)					
Internal Connectors	USB	5 (2 x USB 3.1 Gen 1 via header, 2 x USB 2.0 via header, 1 x USB 2.0 Type-A connector)					
	Serial	4 for G2 version (3 x RS-232, box-header; 1 x RS-232/422/485 with auto-flow control, box-header)					
	SATA	4					
	Parallel	1					
	GPIO	8-bit					
Watchdog Timer	Output	System reset					
	Interval	Programmable 1 - 255 sec					
Power Requirement	Test Environment	Intel Core i7-8700 3.2GHz; DDR4 2400 16 GB x 2					
	Voltage	3.3V	5V	12V	5Vsb	-5V	-12V
	Current	2.74A	3.5A	5.92A	0.05A	0.01A	0.08A
Environment	Operating					Non-Operating	
	Temperature	0 ~ 60 °C (32 ~ 140 °F), depends on CPU speed and system thermal					
	Humidity	solution 40 °C @ 95% RH Non-condensing				60 °C @ 95% RH Non-condensing	
Physical Characteristics	Dimensions (W x H x D)	380 x 164 x 316.5 mm (15" x 6.5" x 12.5")					

### Block Diagram



### Ordering Information

Part Number	Chipset	Memory	Display	USB 3.1 Gen 1	USB 2.0	COM	GbE LAN	AMT	SATA	SW RAID	Intelligent System Module Support
TECH-7120-706	H310	Non-ECC	VGA + DVI	4	5	6	2	No	4	No	No

### Front View



### Inside View



Easy-to-maintain fan filter



User-friendly mechanical design for installing an add-on card

### Bracket View

