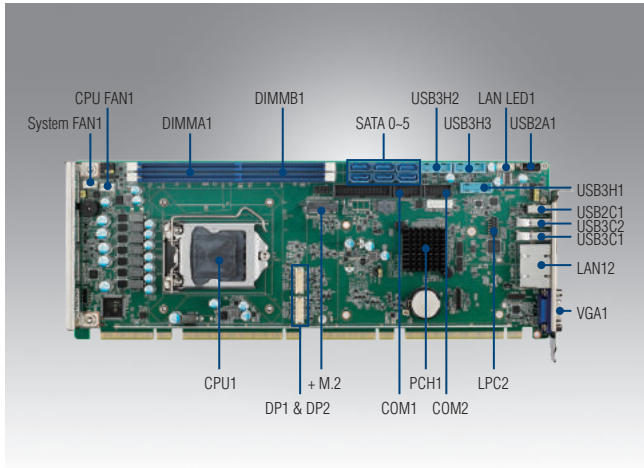


PCE-7132

LGA1200 10th Generation Intel® Xeon® W/Core™ i9/i7/i5/i3/Pentium® System Host Board with DDR4, SATA 3.0, USB 3.2, M.2, Dual GbE, and Triple Displays



Features

- Intel® Xeon® W Family/Core™ i9/i7/i5/i3 LGA1200 processor with W480E chipset
- Up to 64 GB of dual-channel (non-ECC) DDR4 2666/2933 MHz
- PCIe 3.0, M.2, USB 3.2, SATA 3.0, and SW Raid 0, 1, 5, 10
- Supports VGA and 2 x DVI-D/DP display (with optional cable)
- Supports out-of-band remote management with AMT
- Supports Advantech's LPC modules, SUSI 4.0, and embedded software APIs

Note: Legacy platform is not supported.

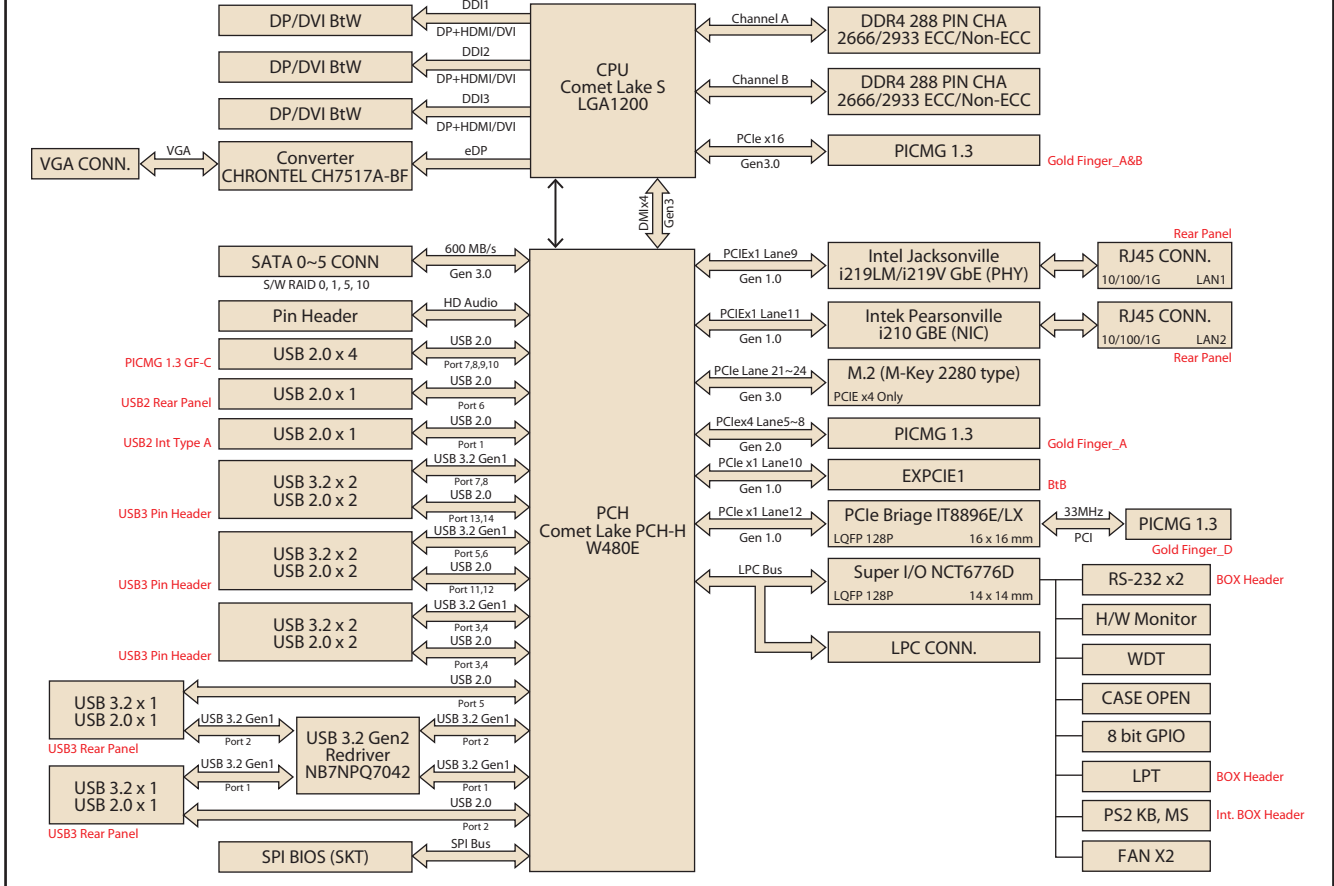
Quiet

CE FCC

Specifications

Processor System	CPU	i9-10900K	W-1290E	W-1290TE	W-1270E	W-1270TE	W-1250E	W-1250TE	i9-10900E	i9-10900TE	i7-10700TE	i7-10700E
	Speed	3.7GHz	3.50GHz	1.80GHz	3.40GHz	2.00GHz	3.50GHz	2.40GHz	2.80GHz	1.80GHz	2.00GHz	2.90GHz
	L3 Cache	20MB	20MB	20MB	16MB	16MB	12MB	12MB	20MB	20MB	16MB	16MB
	Cores	10	10	10	8	8	6	6	10	10	8	8
	TDP	125W	95W	35W	80W	35W	80W	35W	65W	35W	35W	65W
	SKU/Chipset	Intel® W480E										
Processor System	BIOS	AMI® SPI Flash 256 Mbit										
	CPU	i5-10500E		i5-10500E	i5-10500TE	i3-10100E	i3-10100TE					
	Speed	3.10GHz		3.10GHz	2.30GHz	3.60 GHz	2.30GHz					
	L3 Cache	12MB		12MB	12MB	6MB	6MB					
	Cores	6		6	6	4	4					
	TDP	65 W		65W	35W	65W	35W					
Bus	SKU/Chipset	Intel® W480E										
	BIOS	AMI® SPI Flash 256 Mbit										
Bus	PCI-Express	1 x PCIe x16/2 x PCIe x8 and 1 x PCIe x4 to backplane										
	PCI	4 x PCI master to backplane, 32-bit, 33 MHz										
Memory	Technology	Dual-channel (non-ECC) U-DIMM DDR4 2666/2933 MHz (supports x8 DDR4 1024 M) (Note: Intel ECC-supported processor must be selected to enable ECC function)										
	Max. Capacity	Up to 64GB (based on CPU)										
	Socket	2 x DDR4 288-pin DIMM										
Graphics	Controller	Chipset integrated with Intel® HD Graphics										
	VRAM	Shared system memory is subject to OS										
	VGA	Supports resolutions of up to 2048 x 1152 pixel @ 60 MHz										
	DVI-D	Supports resolutions of up to 1920x 1200 @ 60 MHz										
	Display Port	Supports resolutions of up to 4096 x 2160 @ 60 MHz										
Ethernet	Triple Display	VGA+DP/DVI-D+DP/DVI-D										
	Interface	10/100/1000 Mbps										
Ethernet	Controller	LAN 1: Intel® I219-LM LAN 2: Intel® I210-AT										
	Connector with LED	2 x RJ45										
Rear I/O	USB 3.2 Gen2	2										
	USB2.0	1										
	Ethernet	2										
	VGA	1										
Internal Connector	USB	5 x USB 2.0 (1 USB Type A + 4 on backplane), 6 x USB 3.2										
	SATA (SW Raid 0,1,5,10)	6										
	M.2 (2280 Type M)	1 (PCIe x4)										
	DP/DVI-D	2 (Pin header)										
	COM	2										
	IrDA	1										
	GPIO	8bit										
Watchdog Timer	Output	System reset										
	Interval	Programmable 1-255 sec										
Miscellaneous	Audio	Intel® High Definition audio interface (requires audio extension module PCA-AUDIO-HDB1E)										
Power Requirement	Test Environment	Intel W-1290E, Memory 2* DDR4 2666U 32GB										
	Voltage	+3.3V, +5V, +12V										
	Current	1.15A, 1.54A, 1.38A										
Environment	Operating											
	Temperature	0 ~ 60 °C (dependent on CPU and cooler solution)									Non-Operating	
	Humidity	40 °C @ 85% relative humidity (non-condensing)									-40 ~ 85 °C	
Physical	Humidity	60 °C @ 95% relative humidity (non-condensing)										
	Dimensions (L x H)	338 x 122 mm (13.3" x 4.8")										

Block Diagram



Ordering Information

Part Number	PCH	Memory	Backplane	LAN	VGA	DP/DVI-D	COM	SATA III	M.2	USB 2.0	USB 3.1 (Gen1)	USB3.1 (Gen2)	S/W Raid	AMT
PCE-7132G2-00A2	W480E	ECC/Non-ECC	PCE-5BXX PCE-7BXX	2	Yes	2*	2	6	1	6	6	2	Yes	Yes

Note: DP/DVI-D cable is optional

Packing List

Part Number	Description	Quantity
1700003194	Serial ATA HDD data cable	x2
1701090401	1-port COM cable kit	x1
2190000902	Warranty card	x1
2041513200	Startup manual	x1

Optional Accessories

Part Number	Description
1960049408N001	CPU heat sink for 1U Chassis and 35W TDP
1960050255N001	CPU cooler for 2U Chassis and 95W TDP
1960052651N021	CPU cooler for 2U/4U Chassis and 80W TDP
1960067860N001	CPU cooler for 2U/4U Chassis and 125W TDP
1700002204	2-port USB 2.0 cable kit
1700020277-01	2-port USB 3.0 cable kit
1700031719-01	4-port USB 3.0 cable kit
1701090401	1-port COM cable kit
1701092300	2-port COM cable kit
PCE-DP10-00A1E	DP to DP cable kit
1700021831-01	DP to DVI-D cable kit
PCA-TPM-00B1E	TPM 2.0 module
PCA-AUDIO-HDB1E	Audio module
PCA-COM232-00A1E	4-port RS-232 module via LPC interface
PCA-COM485-00A1E	4-port RS-422/485 module via LPC interface
PCE-SA01-00A1E	I/O extension kit (DP, USB, Audio, mini PCIe)
20706WX9HS0098	PCE-7132 win 10 embedded OS (high-end)
20706WX9VS0102	PCE-7132 win 10 embedded OS (value)
20706WX9ES0112	PCE-7132 win 10 embedded OS (entry)

* for PCE-7132/5132/5032, PCE-SA01-00A1E miniPCIe only support PCIe x1 signal

I/O View



PCE-7132G2-00A2